

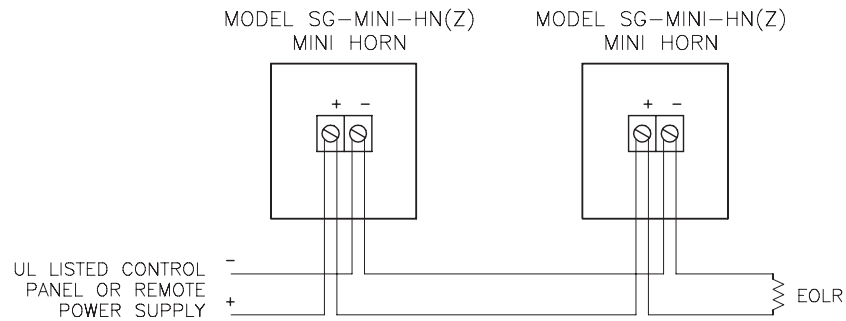
The NATIONAL TIME Mini Horns are high quality signaling devices that offer dependable remote signaling. Code 3 temporal or continuous tone is jumper selectable. The temporal pattern will be synchronized when used in conjunction with the National Time synchronized Notification Appliance Circuit (NAC) outputs. The Mini Horn series is UL listed.



Features:

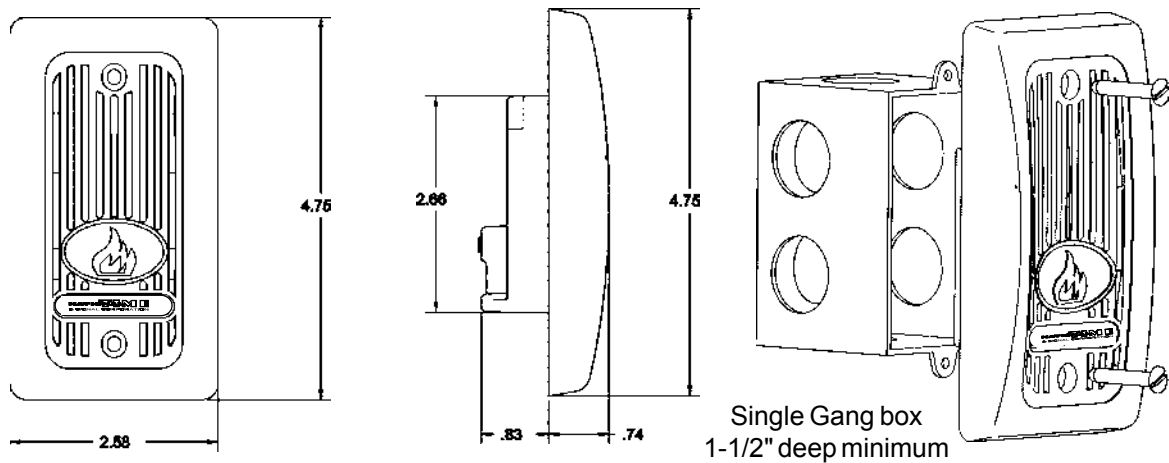
- Code 3 temporal or continuous signal
- Low Operating Current
- Screw Terminal Blocks (Up to 12AWG)
- Available in Red or Off White
- U.L. Listed

Wiring Diagrams



Note: "Z" Series Devices are powered from synchronized NAC output circuits

Mounting Options



Ordering Information

	Model Number	24VDC	UL max ¹	Anechoic Room dBA @ 10 Ft.	UL864 Reverberant Room dBA @ 24 Vdc
Red	SG-MINI-HNZ	22mA	22mA	90	81 temporal; 86 continuous
White	SG-MINI-HNZ-WH	22mA	22mA	90	81 temporal; 86 continuous

¹RMS current ratings are per UL average RMS method. UL max rating is the maximum current throughout the operating voltage range (16-33VDC)